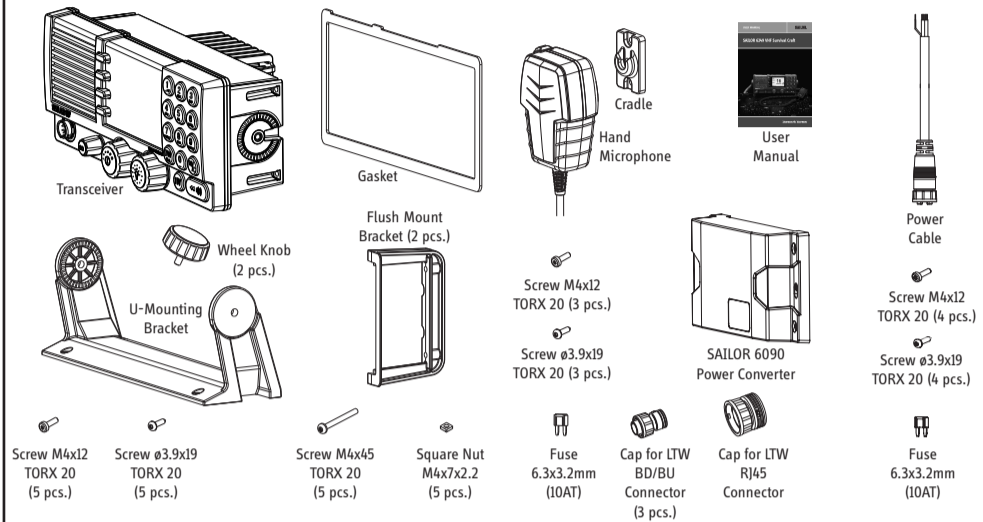
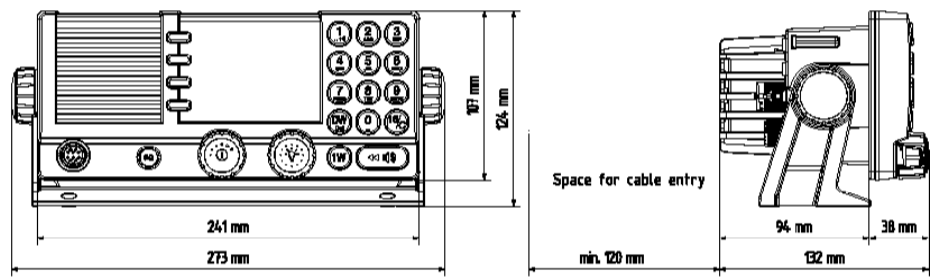


# SAILOR 6249 VHF Survival Craft

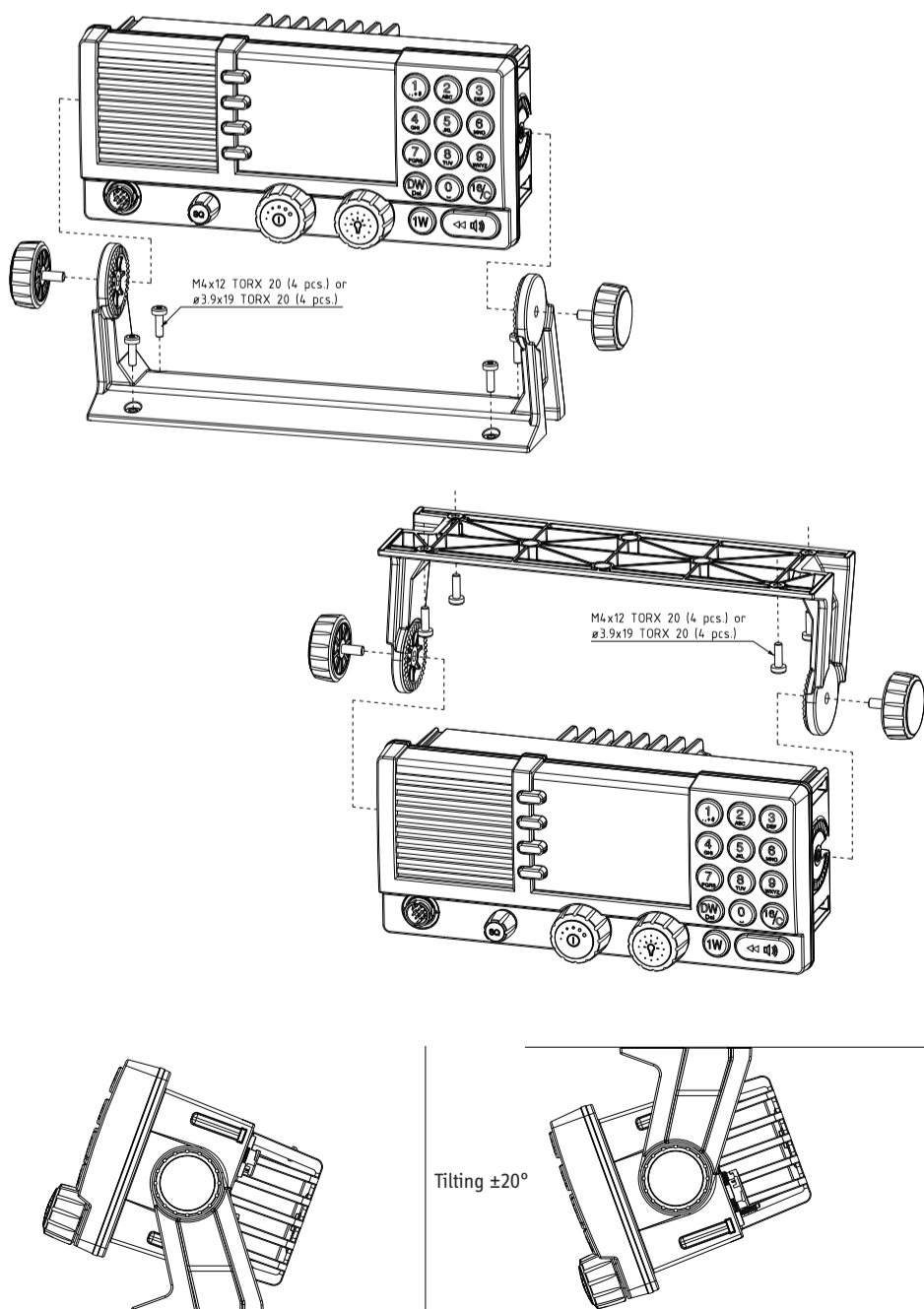
## What's in the box?



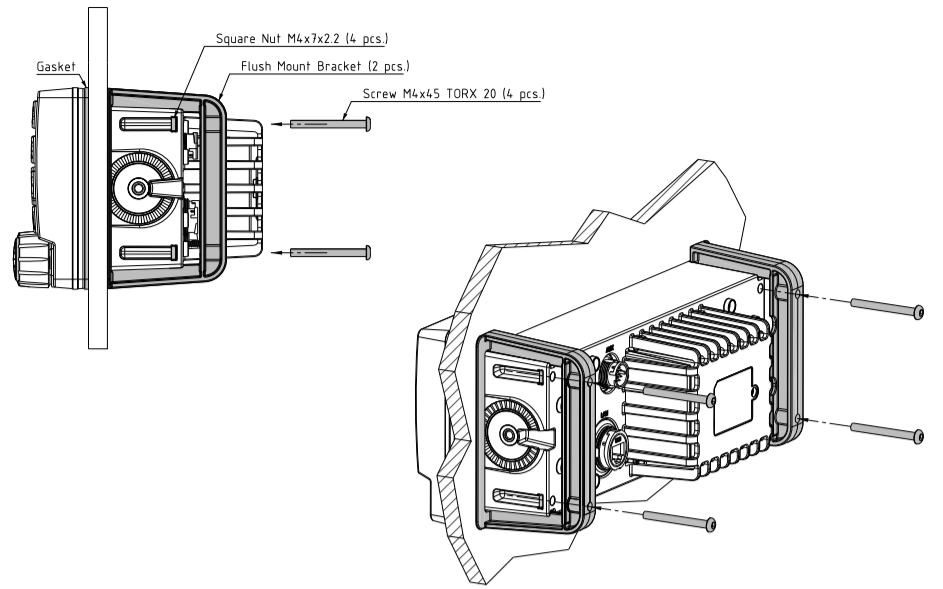
## Dimensions for the VHF



## How to install the VHF on desktop and overhead

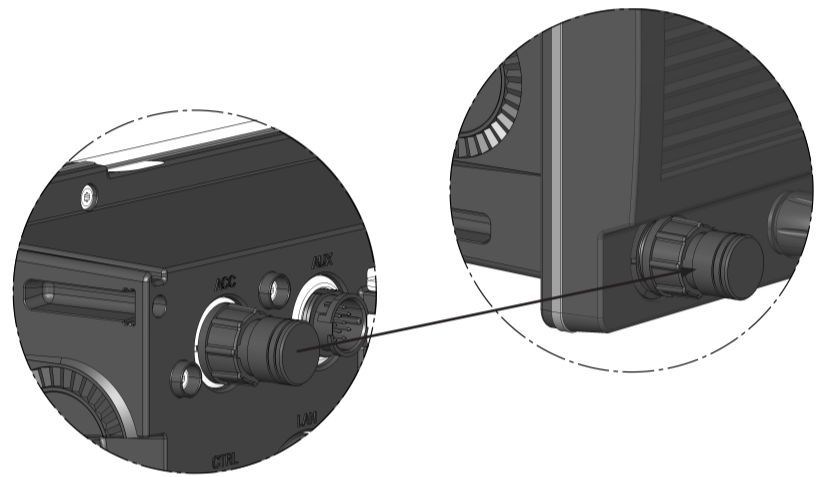


## How to install the VHF flush mount



## How to prevent water ingress

Connector for Hand Microphone or Handset - If not used, put the cap from the ACC connector on the front connector to prevent water ingress.

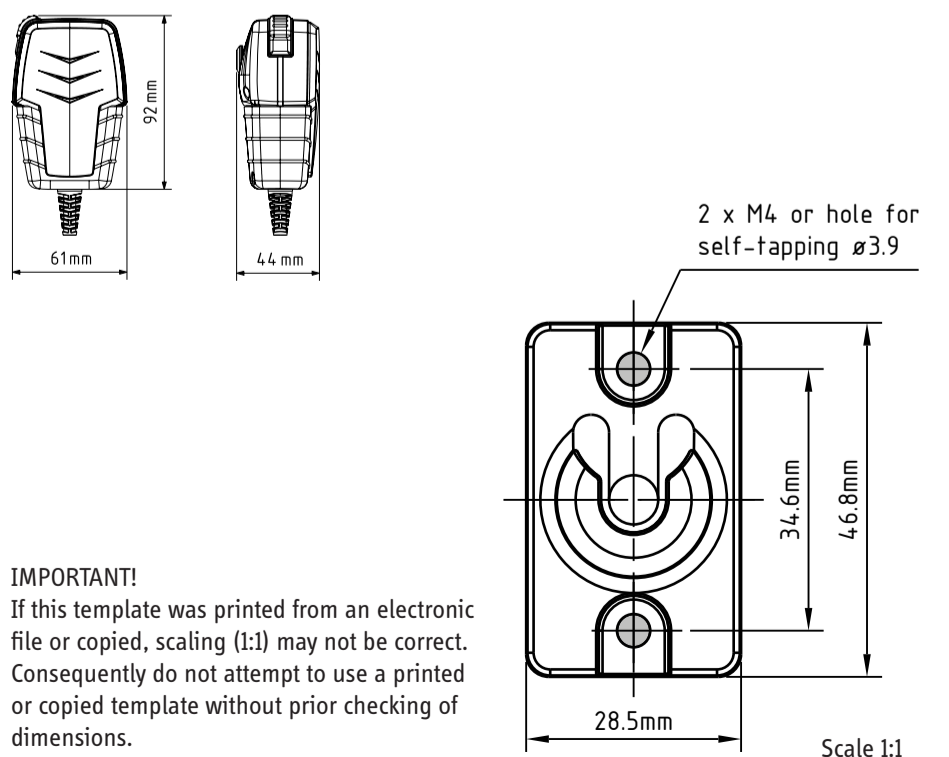


## Very important information!

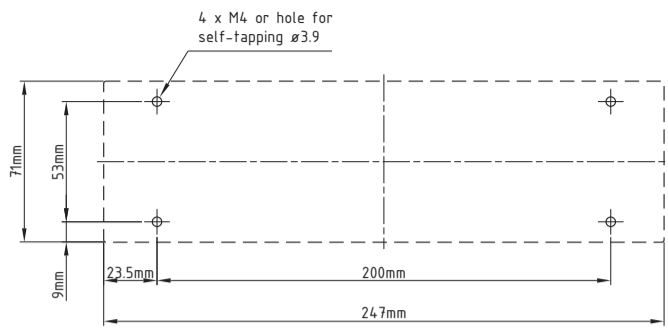
Do not remove the membrane. If you remove the membrane the radio will not be waterproof.



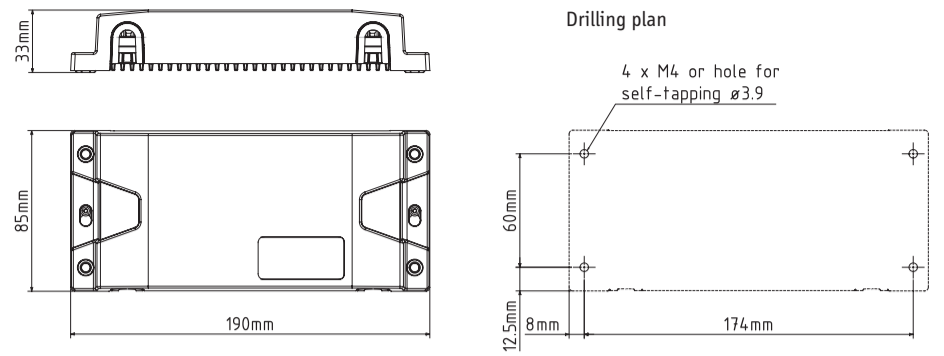
## Dimensions for hand microphone - how to install the cradle



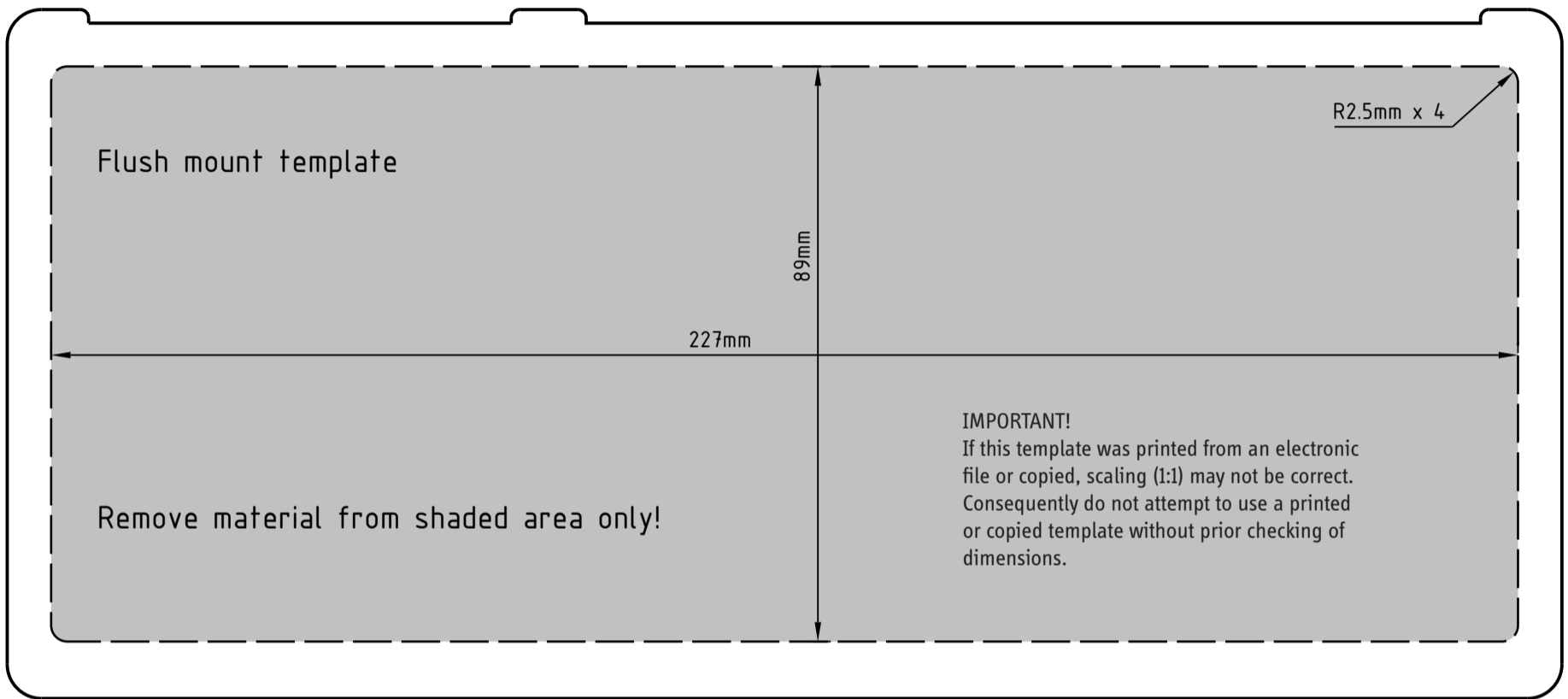
### Drilling plan on desktop and overhead



### How to install the SAILOR 6090 Power Converter

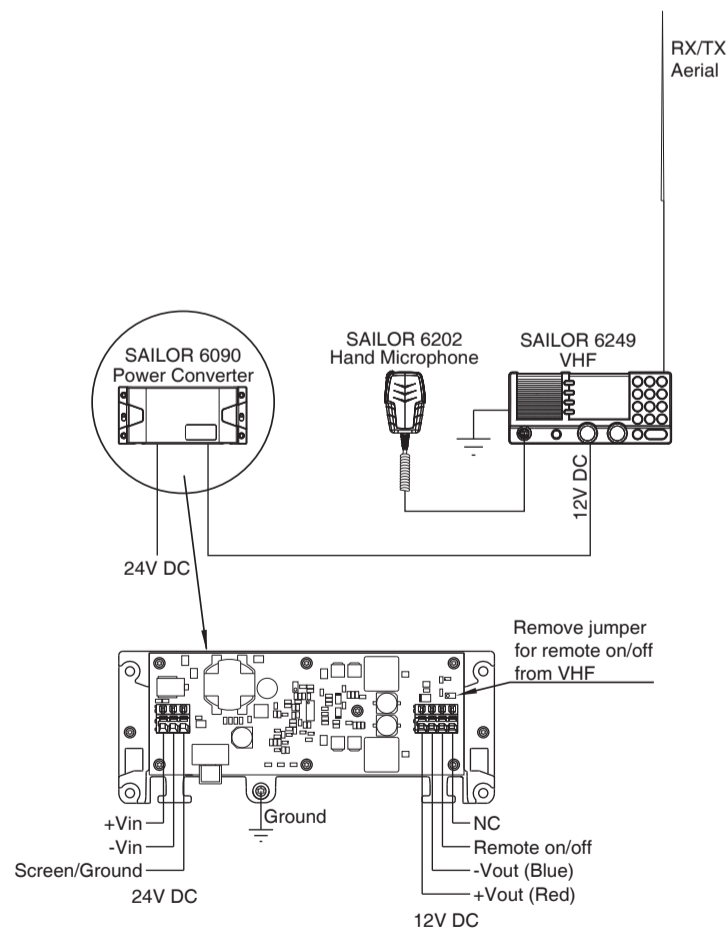


### Cutout template for flush mounting of the VHF



Scale 1:1

### System Configuration - Example



For further information, please download the installation manual part no. 98-135548 at <http://esupport.thrane.com>

99-133949

98-133943-B